

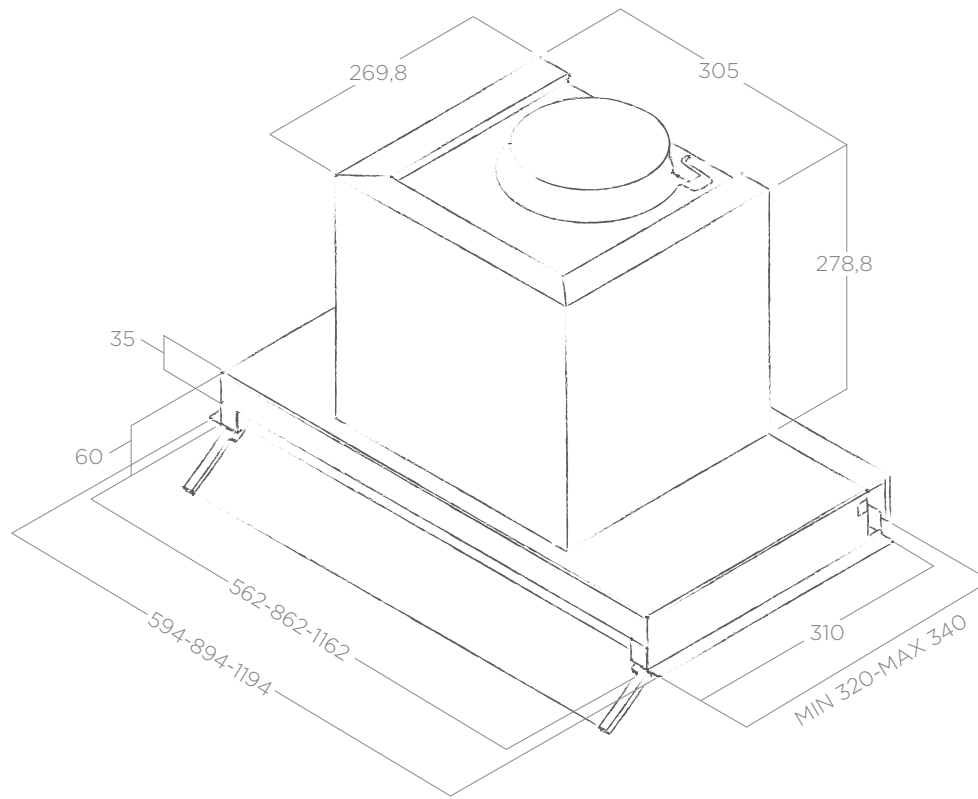


# BOXIN PLUS

DESIGN FABRIZIO CRISÀ



SMART  
INSTALLATION



## TECHNICAL FEATURES INFORMATIONS TECHNIQUES

|  |   |
|--|---|
| Size Dimensions                              | 60 - 90 - 120 cm                              |
| Version Version                              | Duct-out Extraction                           |
| Finish Finition                              | Stainless steel + glass<br>Acier inox + verre |
| <b>LIGHTING ECLAIRAGE</b>                    |   |
| Type Type                                    | LED 2 x 2,5 W                                 |
| Intensity Intensité                          | 145 LUX                                       |
| Temperature Température                      | 4000 K  |
| <b>PERFORMANCE PERFORMANCE</b>               |   |
| Controls Commandes                           | 3S Rotative<br>Rotatif 3V                     |
| Min-max airflow Aspiration min-max           | 300 - 800 m <sup>3</sup> /h                   |
| Min-Max noise level<br>Niveau sonore min-max | 49 - 68 db(A) (60 cm)<br>55 - 68 db(A)        |
| Total absorption Absorption totale           | 260 W   |
| Duct size Sortie                             | 150 mm  |

### ACCESSORIES ACCESSOIRES

|  |            |
|--|------------|
| Charcoal Filter Filtre à charbon   | CFC0140343 |
| Chimney kit h12 Kit cheminée h12   | KIT0091876 |
| Telescopic chimney kit h18,5+h18,5<br>Telescopic Chimney Kit h18,5+h18,5 | KIT0141458 |

### MODELS MODELES

|                        |            |
|------------------------|------------|
| BOX IN PLUS IXGL/A/60  | PRF0097795 |
| BOX IN PLUS IXGL/A/90  | PRF0097796 |
| BOX IN PLUS IXGL/A/120 | PRF0097797 |

Grease aluminium Filter included Filtre à graisse en aluminium inclus

BUILT-IN