

HAIKU ISLAND

DESIGN FABRIZIO CRISÀ







A photograph of a modern interior space. The room features a concrete wall and a light-colored wooden floor. A large, colorful sofa with a patchwork pattern of red, yellow, blue, and white is positioned against the wall. To the left of the sofa is a black floor lamp with a spherical shade. A large window or skylight is visible, showing a view of a green landscape with trees. The text 'HAIKU ISLAND' is overlaid on the image in a large, white, sans-serif font.

HAIKU ISLAND

DESIGN FABRIZIO CRISÀ



HAIKU ISLAND

DESIGN FABRIZIO CRISÀ

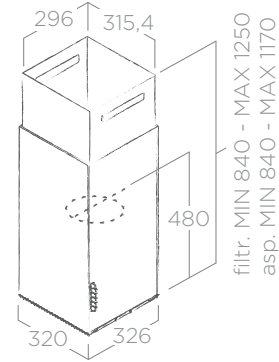
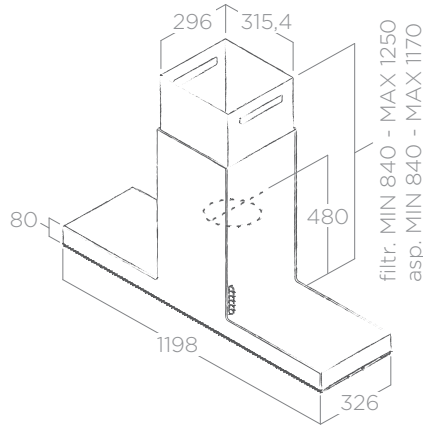
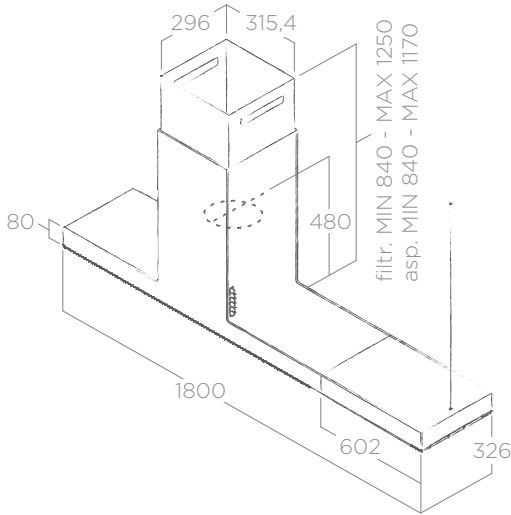
AWARDS



SILENCE



SPECIAL MATERIAL



LONG LIFE FILTER



CM 60



CM 65

WALL VERSION P. 69

VERSION MURALE P. 69

TECHNICAL FEATURES INFORMATIONS TECHNIQUES

Size Dimensions	32x32 - 32x120 - 32x180 cm
Version Version	Duct-out Extraction
Finish Finition	Black glass, white Krypton, cement effect stoneware, stainless steel Verre noir, Krypton blanc, Grès effet ciment, Acier inox

LIGHTING ECLAIRAGE

Type Type	Strip Led 1x7 W
Intensity Intensité	281 LUX
Temperature Température	3500 K

PERFORMANCE PERFORMANCE

Controls Commandes	3S+2B Touch Control Commandes Tactiles 3V+2I
Min-max airflow Aspiration min-max	300 - 1000 m³/h
Min-Max noise level Niveau sonore min-max	35 - 53 db(A)
Total absorption Absorption totale	260 W
Duct size Sortie	150 mm

Grease aluminium filter included Filtre à graisse en aluminium inclus

ACCESSORIES ACCESSOIRES

Charcoal Filter Filtre à charbon	CFC0141529
Long Life Filter Filtre longue durée	CFC0141725



More details on next page
Plus de détails page suivante

MODELS MODELES

HAIKU ISLAND BL/A/32	PRF0146285
HAIKU ISLAND WH/A/32	PRF0146289
HAIKU ISLAND IX/A/32	PRF0146277
HAIKU ISLAND CONCRETE/A/32	PRF0146281
HAIKU ISLAND BL/A/120	PRF0146286
HAIKU ISLAND WH/A/120	PRF0146290
HAIKU ISLAND IX/A/120	PRF0146279
HAIKU ISLAND CONCRETE/A/120	PRF0146282
HAIKU ISLAND BL/A/180	PRF0146287
HAIKU ISLAND WH/A/180	PRF0146291
HAIKU ISLAND IX/A/180	PRF0146280
HAIKU ISLAND CONCRETE/A/180	PRF0146284

SHAPES, MATERIALS AND SOLUTIONS FORMES, MATÉRIAUX ET SOLUTIONS



At Elica, our strong belief in research means that even the choice of materials becomes an essential element in the innovation process. In Haiku the front panel is a single piece available in 4 different finishes: stainless steel, black hardened glass, cement effect porcelain stone, white Krion®. Unprecedented solutions in line with latest furnishing trends are thus brought to life.

Chez Elica, nous croyons si fort dans la recherche que même le choix des matériaux devient un élément fondamental dans le processus d'innovation. Pour Haiku, le panneau avant est fait d'une seule pièce disponible dans 4 finitions: acier inoxydable, verre trempé noir, grès effet ciment, Krion® blanc. Ainsi apparaissent des solutions inédites en accord avec les tendances de l'ameublement.



ERGONOMICS AND A LARGE EXTRACTION SURFACE

The reduced depth of Haiku makes it a particularly ergonomic product without compromising on its extraction capacity. The 8 cm high hood body and large flues enhance the performance of the product, which extracts across the entire surface, even in the 180 cm island version. Experiencing the kitchen in total freedom and movement just got simpler.

ERGONOMICS AND A LARGE EXTRACTION SURFACE

Avec sa profondeur réduite, Haiku est un produit particulièrement ergonomique sans concessions sur sa capacité d'aspiration. Le corps de la hotte haut de 8cm et les larges cheminées augmentent la performance du produit qui aspire sur toute sa surface, même dans la version îlot 180cm. Vivre librement et en mouvement dans la cuisine est encore plus simple.

